

AKO™

innovative & creative furniture

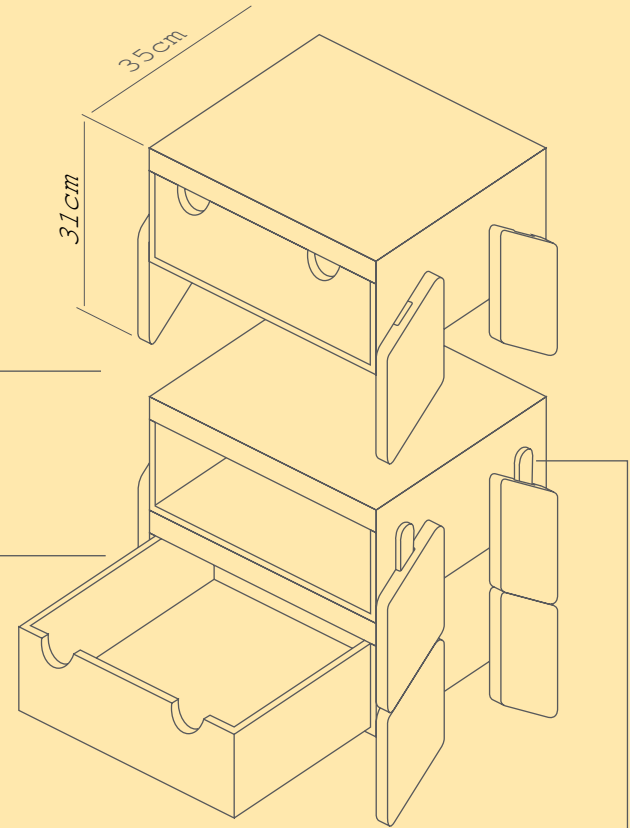


**PATENTED
DESIGN**

- Made of best quality plywood
- Designed to meet European Standards
- Made of lightweight but durable materials
- Multi-purpose modules

No tools necessary,
easy installation
and joining of modules

Removable drawer
with a drawer stop



Safety lock

*Drawers optional in all products.

*All products made of natural materials, colour shade and graining may sometimes differ.

nino 1



Dimensions: width 36 cm, height 31 cm, depth 35 cm
Material: Plywood

nino 2



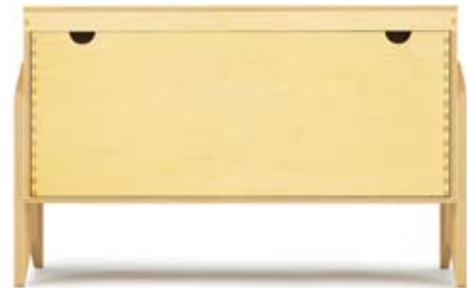
Dimensions: width 72 cm, height 31 cm, depth 35 cm
Material: Plywood

nino 1+



Dimensions: width 36 cm, height 48 cm, depth 35 cm
Material: Plywood

nino 2+



Dimensions: width 72 cm, height 48 cm, depth 35 cm
Material: Plywood

FURNITURE DESIGNED
WITH THE CHILDREN
IN MIND





Nino means “child”. And children are the main focus of our design. With their needs in mind, we designed a line of charming wooden modular furniture. The units are crafted to be arranged and assembled into unique furniture compositions that will grow and change with your child. The form and functions of furniture will continuously adjust to meet any changing needs of your family.

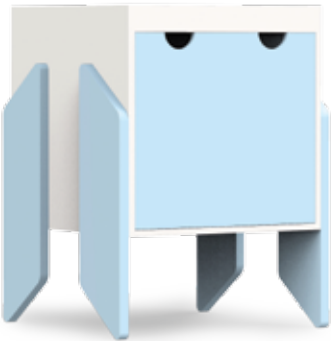
PLAY WITH COLOURS, FORMS, FUNCTIONS!

Nino furniture units are designed to fit together in any arrangements and colours you like. Units are finished in two basic colours, natural plywood and white. Drawer fronts and supports are available in a number of trendy, cheerful colours to fit modern interiors.

The final arrangement, however, will be entirely up to you!



Colour Palette



Palette of available colors
legs and fronts drawers

-  white
-  green
-  grey
-  pink
-  blue
-  turquoise
-  navy blue
-  red

Manufacturer:

Krespa Sp. z o.o.

11 Listopada 53

38-300 Gorlice

Poland

Tel:

+48 882 554 945

+48 18 353 63 81

office@krespa.pl

www.nino-wood.com



www.nino-wood.com